



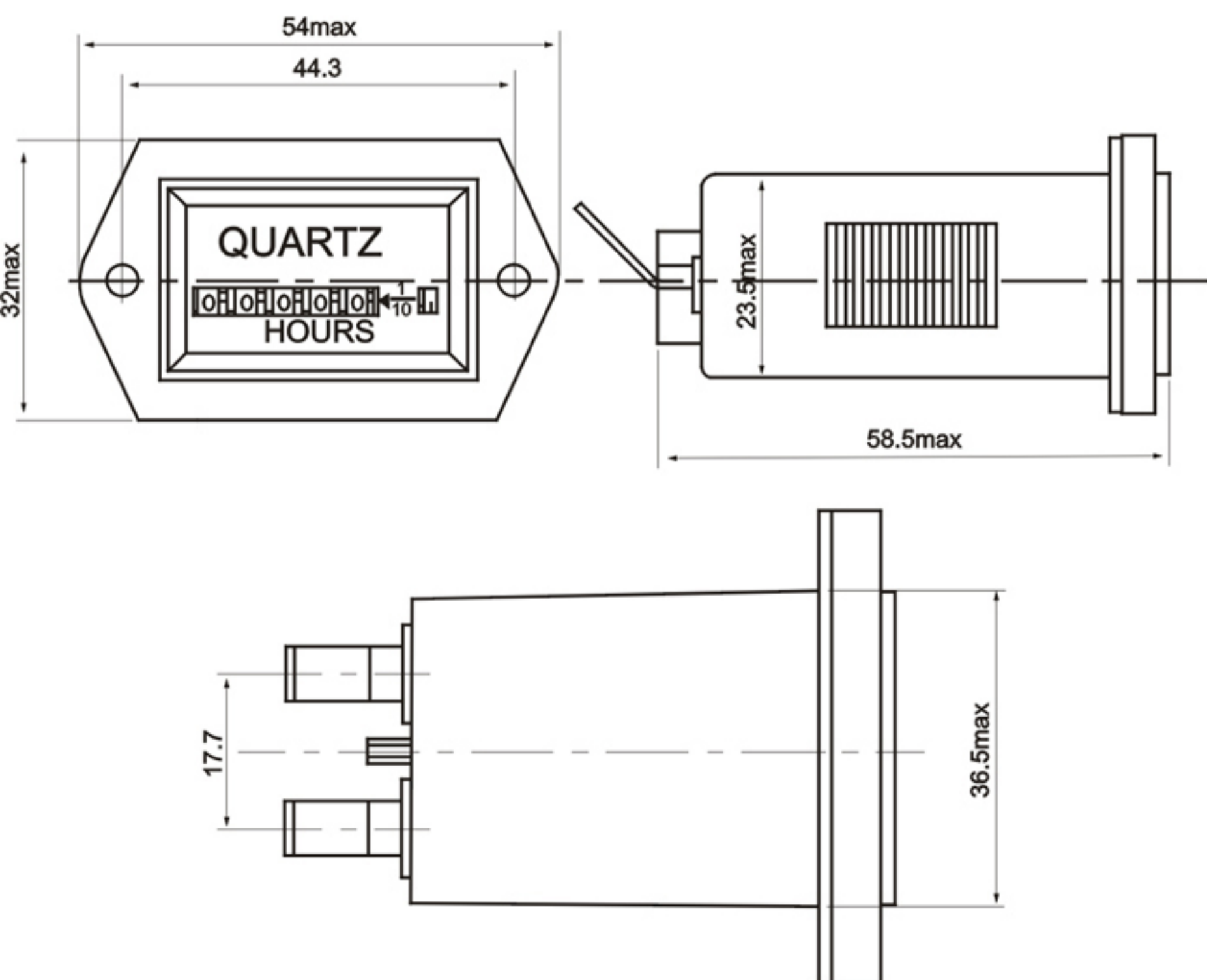
# HOUR METER

## TECHNICAL SPECIFICATIONS

Item N O.	SYS
Supply Voltage	DC12~36V,30~60V
Dimensions	54×32×58.5mm
Time Range	0~9999.9Hours
Net Weight	50g

1. This products is suitable for usage of House, Industry, Air condition, etc.
2. Time setting range available from 0 to 9999.9 Hours.

## DIMENSIONS(mm)





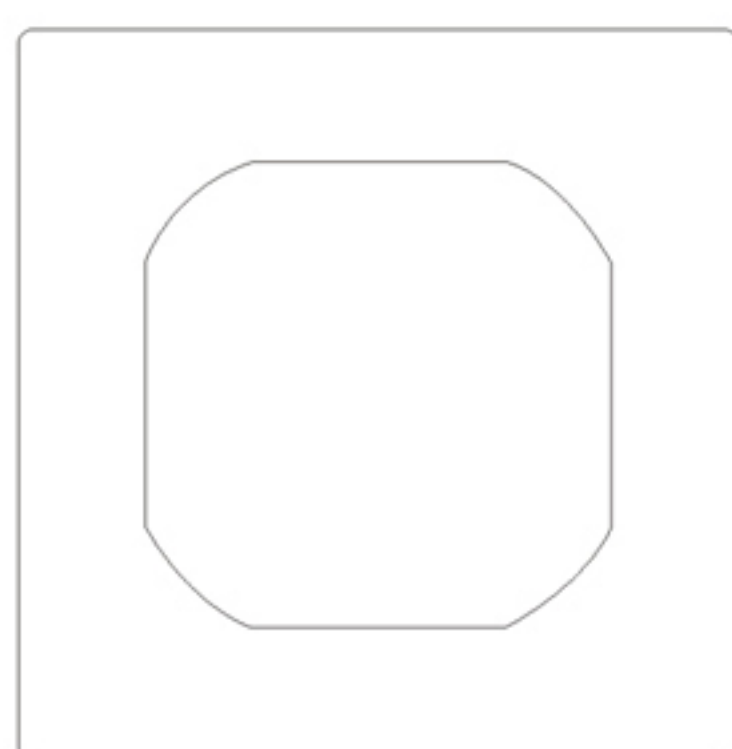
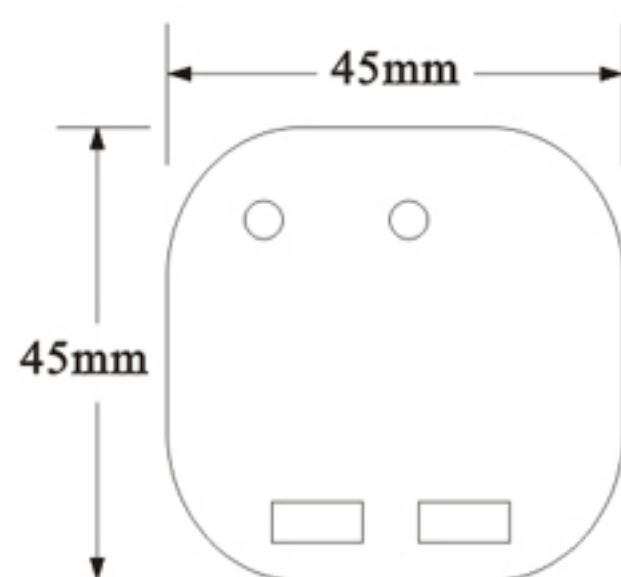
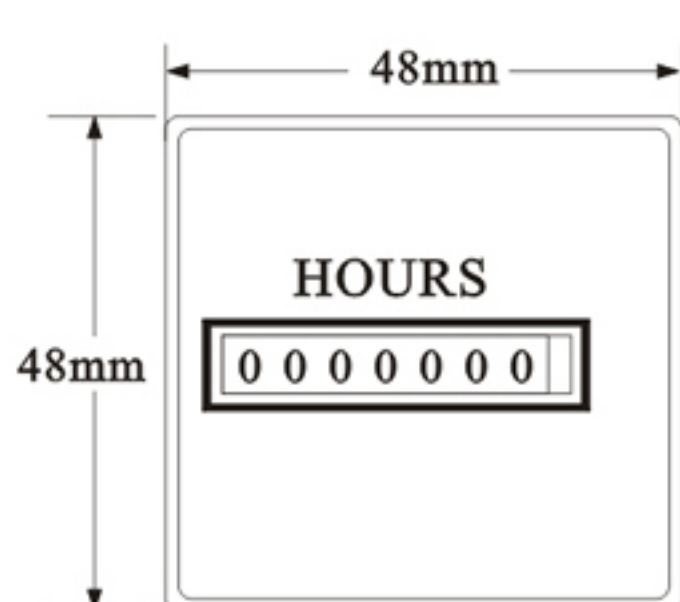
# HOUR METER

## TECHNICAL SPECIFICATIONS

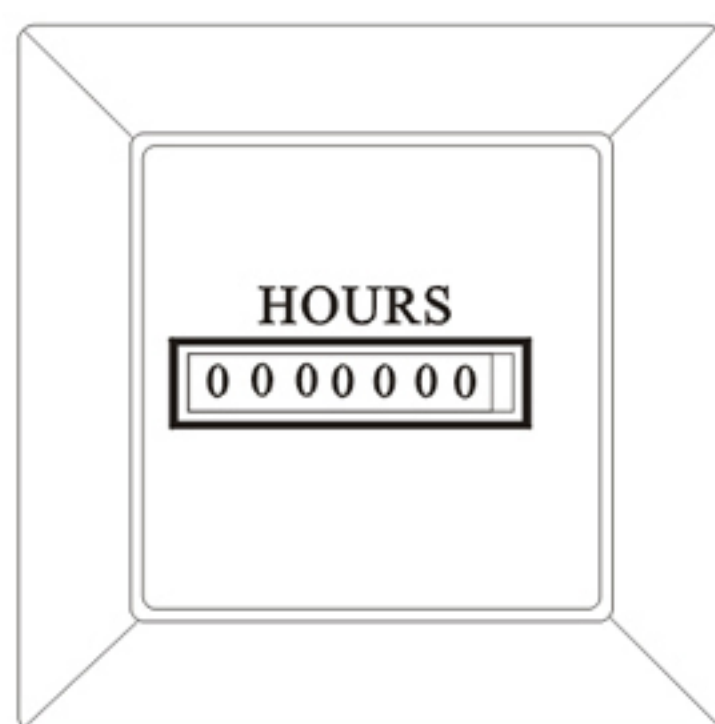
Item N O.	HM-1
Supply Voltage	AC110V,220V/50Hz
Dimensions	48 X 48 X 40mm
Time Range	0~99,999.99Hours
Net Weight	50g

1. This products is suitable for usage of House, Industry, Air condition, etc.
2. Time setting range available from 0 to 99,999,99 Hours.
3. Accessories parts H-C Adapter 72x72.

## DIMENSIONS(mm)



H-C



Hour meter HM-1  
with H-C



### Function

- Operating hours counter with synchronous motor.  
DC voltage versions with quartz-controlled stepped motor.

### Technical Data

- **Nominal voltage:** AC100V~250V 50/60Hz  
AC200V~240V 50Hz, 60Hz  
AC100V~120V 50Hz, 60Hz  
DC/AC10V~80V 50/60Hz

- **Frequency:** 50Hz, 60Hz, 50/60Hz
- **Counting range:** 99,999.99 hours
- **Numbers:** 1.5×3.8 mm

- Counting mechanism up to max. 99,999.99 hours.
- Operation indication.

- **Accuracy:** AC: depends on mains frequency  
DC:  $\leq \pm 2$  sec./day at 20 °C

- **Power consumption:** DC: 0.04~2.5W  
AC220 50Hz, 60Hz: <2VA  
AC100V~250V 50Hz/60Hz: <1.5VA

- **Permissible ambient temperature:** -10~+55 °C
- **Test voltage:** 2500V~Winding and contacts to ground
- **Degree of protection:** Front frame IP 65 in accordance with EN 60529
- **Weight:** approx. 50 g

### Model Specification

Type	Counting range	Installation	Front panel mm	Installation cut-out mm	10~80VDC/AC (50/60Hz) Best.- number	100~120VAC (50, 60Hz) Best.- number	200~240VAC (50, 60Hz) Best.- number	100~250VAC (50/60Hz) Best.- number
HM142-1	99,999.99	Front panel installation with snap-in mounting or with supplied anchor clamp	48×48	46×46	HM142-1-10-50/60	HM142-1-110-50 HM142-1-110-60	HM142-1-220-50 HM142-1-220-60	HM142-1-100-50/60
HM142-3	99,999.99	Plug-in base with rapid mounting facility for 35mm stand mounting rail, incl.	48×48	46×46	HM142-3-10-50/60	HM142-3-110-50 HM142-3-110-60	HM142-3-220-50 HM142-3-220-60	HM142-3-100-50/60
HM143-1	99,999.99	Front panel installation with snap-in or anchor clamp securing incl.	52×52	46×46 or Ø 50	HM143-1-10-50/60	HM143-1-110-50 HM143-1-110-60	HM143-1-220-50 HM143-1-220-60	HM143-1-100-50/60
HM143-3	99,999.99	Plug-in base with rapid mounting facility for 35mm stand mounting rail, incl.	52×52	46×46 or Ø 50	HM143-3-10-50/60	HM143-3-110-50 HM143-3-110-60	HM143-3-220-50 HM143-3-220-60	HM143-3-100-50/60

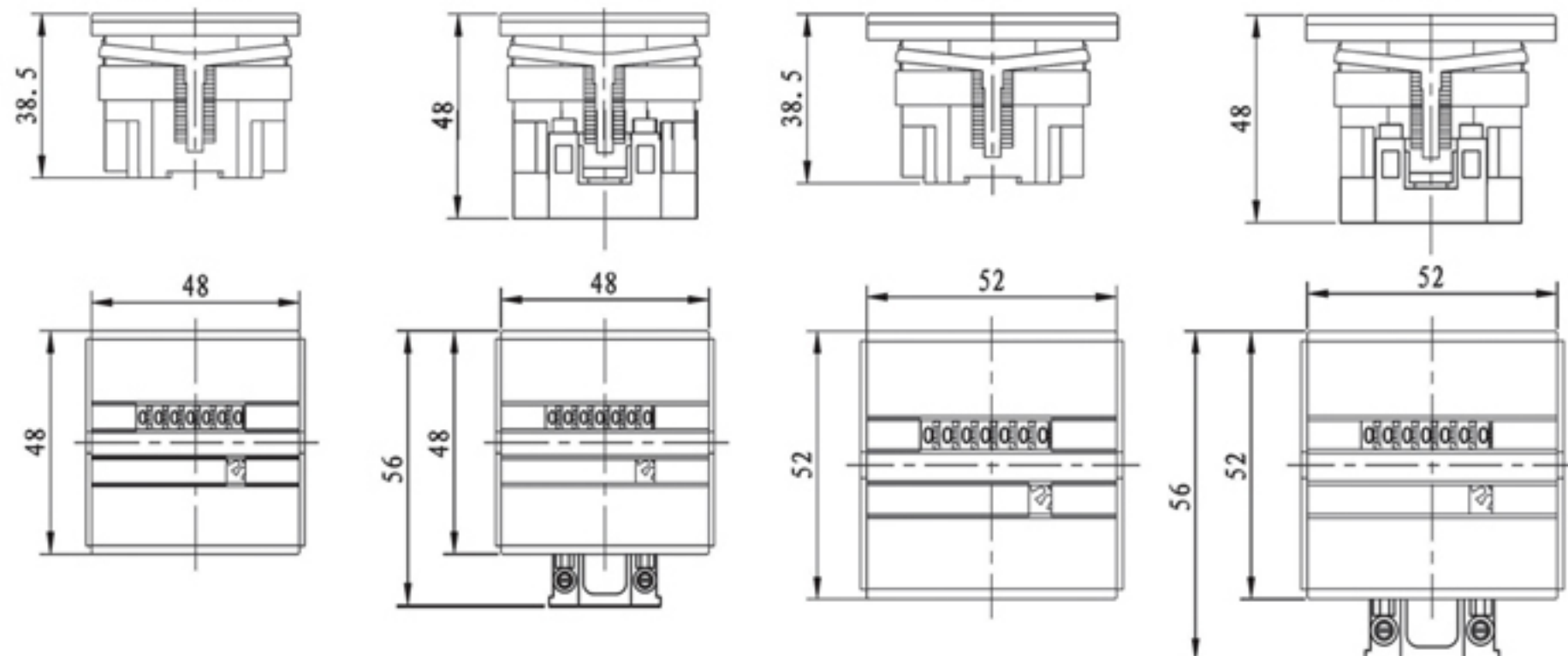
### Dimension Drawings

HM142-1

HM142-3

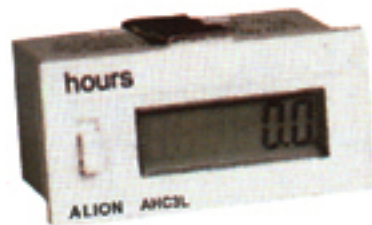
HM143-1

HM143-3





AHC3L



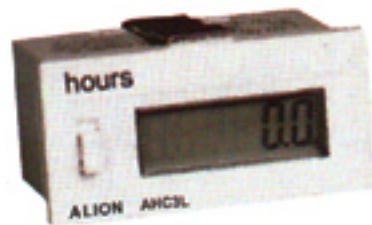
AHC3L-A

### TECHNICAL SPECIFICATIONS

Dimensions	24 × 48 × 50(mm)
Timer Range	999999.9H, 99H59M59S, 9999H59M, 9999Day23H, 9999H59M59S, 999999H59M
Voltage	No need out put
Battery life	6Year
Panel ctout	22.5 × 45mm



AHC3L



AHC3L-A

### TECHNICAL SPECIFICATIONS

Dimensions	24 × 48 × 50(mm)
Timer Range	999999.9H, 99H59M59S, 9999H59M, 9999Day23H, 9999H59M59S, 999999H59M
Voltage	No need out put
Battery life	6Year
Panel ctout	22.5 × 45mm