

CASES:

All cases at least dust and splash water-proof.
 All cases are made of strengthened self-extinguishing PPO
 With a high hit-resistance and a maximum electric isolation

The Max. Voltage to earth Voltmeter-The upper range voltage
 (full scale deflection)

Ammeter-The Voltage of the main power supply.

The meter used shall be keep cleaning.The user shall be made aware of that,
 if the meter is used in a manner not specified by the manufacturer,the protection
 provided by the meter may be impaired.

ACCURACY CLASS:

AC, DC Voltmeters and Ammeters comply with the accuracy
 class 1.5.

The power meters comply with accuracy class 1.5.

The frequency meters comply with accuracy class 1.0.

The maximum-demand meters comply with accuracy class 3.0.

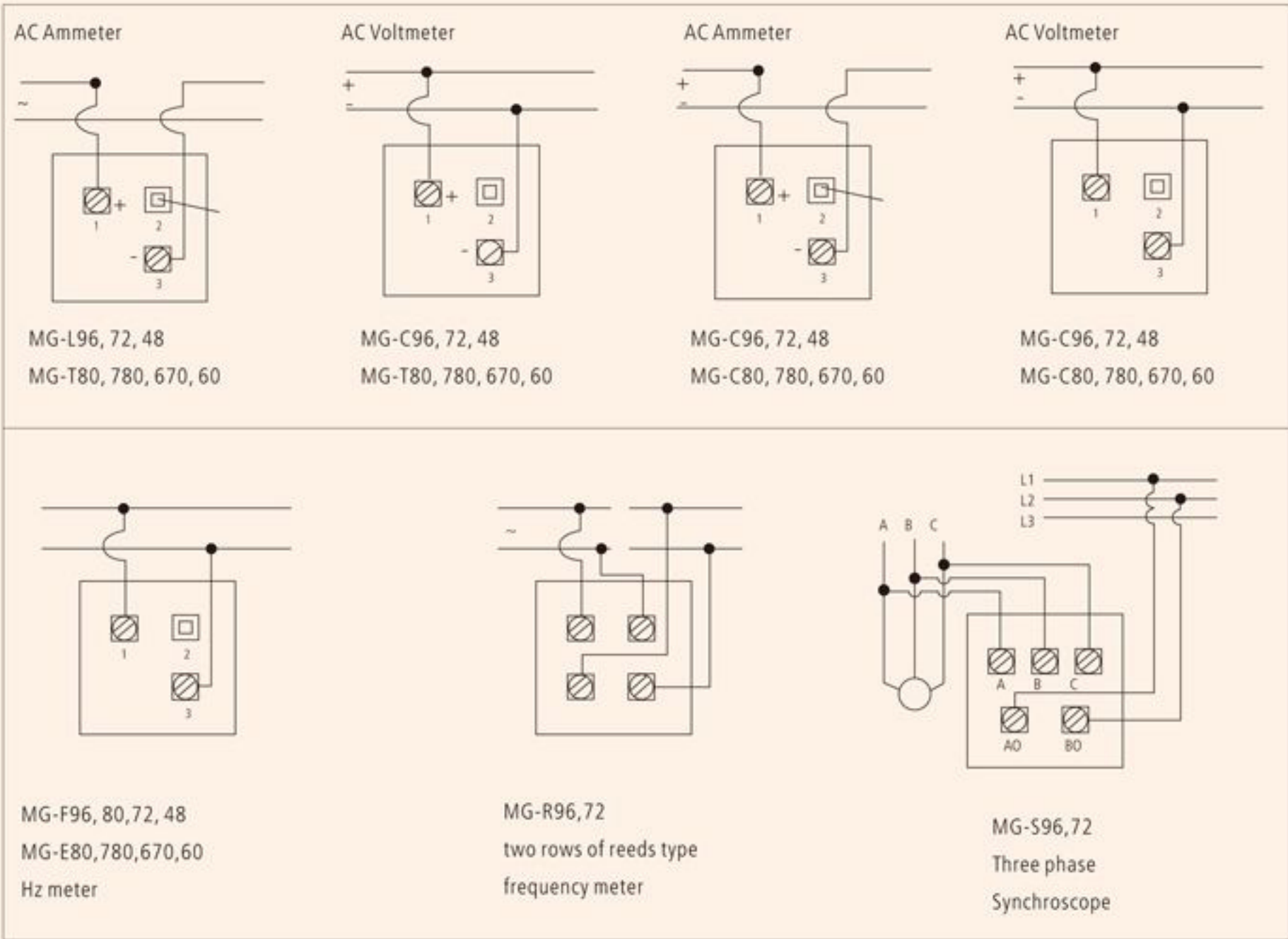
The power factor meters and synchroscope meter comply
 with accuracy class 2.5.

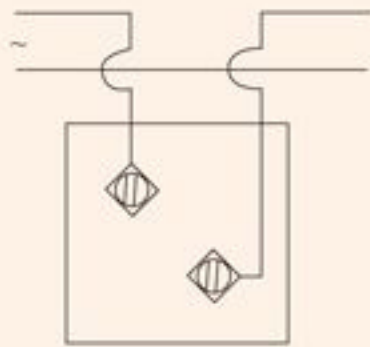
MOUNTING ANGLE:

The instruments are calibrated for vertical mounting, unless other positions
 such as horizontal or inclined at any specified angle to the horizon. Can be
 provided upon request(in this case, specify angle of inclination, please) The
 accuracy class refers to the specified mounting angle only.

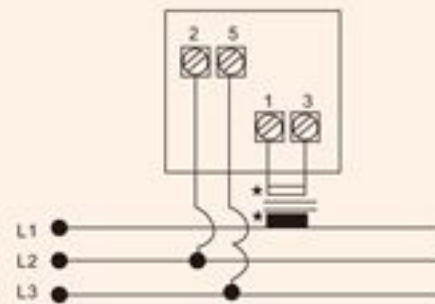
INSULATION TEST:

The insulation test is carried out at a voltage of 2KV, 50Hz 1
 min and applies for instruments with the full scale deflection up to
 650V. Other standards comply with IEC61010-1.

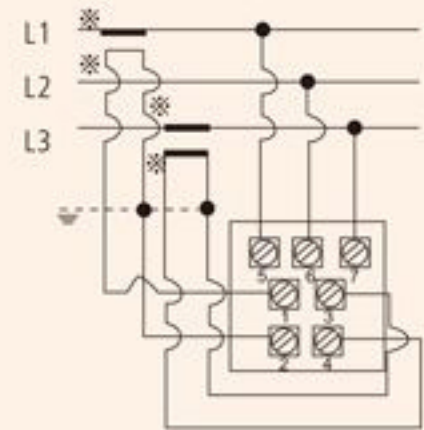




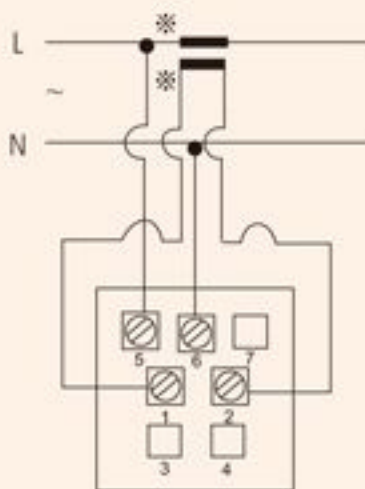
MG-M96, 80, 72, 48
Maximum demand meter



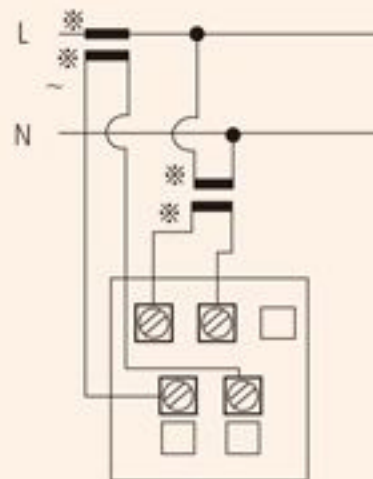
MG-PF96, 80, 72, 48
MG-PF80, 780, 670, 60
3 Phase Power factor meter



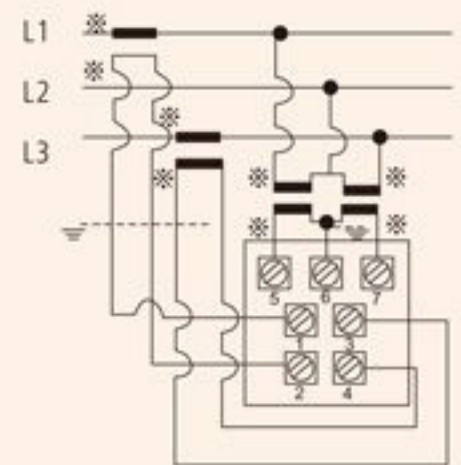
MG-W(Var)96, 80, 72, 48
MG-W80, 780, 670, 60
Three phase three wire active
power and reactive Power meter
without voltage transformers



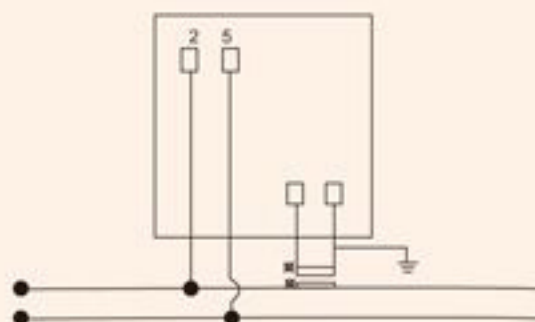
MG-W(Var)96, 72, 48
MG-W(Var)80, 780, 670, 60
Single~phase Power meter
with Current transformers



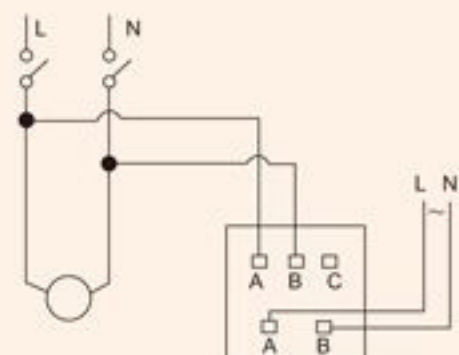
MG-W(Var)96, 72, 48
MG-W(Var)80, 780, 670, 60
Single~phase
Power meter with Current
and Voltage transformers



MG-W(Var)96, 72, 48
MG-W(Var)80, 780, 670, 60
Three phase three wire Active
Power and Reactive Power meter
with current and voltage transformers



MG-PF96, 80, 72, 48
MG-PF80, 780, 670, 60
Single phase power factor meter



MG-S96, 72
Single phase
Synchroscope



MOVING IRON & MOVING COIL INSTRUMENTS AC AMMETER

Model: MG-T96, MG-T72, MG-T48, MG-C96, MG-C72, MG-C48

Accuracy: Class 1.5

Specs: 0.1A, 0.5A, 1A, 1.5A, 3A, 5A, 7.5A, 10A, 20A, 25A, 30A, 50A, 75A, 100A (use Ext. CT 5A)

Note: For 60/75/100A direct meter, the class is 2.5.

Advantage: The scale can be easily changed without opening the front frame so that the class will not be influenced.



MOVING IRON & MOVING COIL INSTRUMENTS AC VOLTMETERS

Model: MG-T96, MG-T72, MG-T48, MG-C96, MG-C72, MG-C48

Accuracy: Class 1.5

Specification: 30V, 50V, 75V, 100V, 120V, 150V, 250V, 300V, 450V, 600V

(For 450-380KV, should be used with potential transformer whose secondary voltage 100V).



MOVING COIL INSTRUMENTS DC AMMETER

Model: MG-C96, MG-C72, MG-C48

Accuracy: Class 1.5

Specification: 25uA, 30uA, 50uA, 1mA, 2mA, 5mA, 10mA, 20mA, 30mA, 50mA, 75mA, 100mA, 150mA, 200mA, 250mA, 300mA, 500mA, 1A, 3A, 5A, 7.5A, 10A, 20A, 30A, 50A, 75, 100A (used with Shunt)

Note: For 60/75/100A direct meters, the class is 2.5.

Advantage: The scale can be easily changed without opening the front frame so that the class will not be influenced.



MOVING COIL INSTRUMENTS DC VOLTMETERS

Model: MG-C96, MG-C72, MG-C48

Accuracy: Class 1.5

Specification: 3V, 5V, 7.5V, 10V, 15V, 20V, 30V, 50V, 75V, 100V, 120V, 150V, 200V, 250V, 300V, 400V, 450V, 600V,

Note: Over 6000V should be used with Ext. Resistor. (Rated current 5mA).



MOVING COIL INSTRUMENTS FREQUENCY METER POINTER TYPE

Model: MG-F96, MG-F72, MG-F48

Accuracy: Class 1.0

Volt: 50V, 100V, 220V, 380V

Freq: 44-55Hz, 45-65Hz, 55-65Hz, 47-53Hz, 57-63Hz, 44-56Hz, 54-66Hz, 450-550Hz, 550-650Hz



MOVING COIL INSTRUMENTS FOR NON-ELECTRIC VALUES

Model: MG-F96, MG-F72, MG-F48

these meters can measure the other non-electric values: temperature, speed, and so on. Heat resistance: Case of non-combustible plastic material according to UL-94 V0.

Fastening: By means of nuts, absolutely safe, fast, robust, side-by-side



FREQUENCY METER WITH REEDS TYPES

One row of reeds Model: MG-R96-1, MG-R72-1

Two rows of reeds Model: MG-R96-2, MG-R72-2

Accuracy: Class 0.5

Specification:

Voltage: 50V 100V 220V 380V 440V 415V

Frequency: 45~55Hz, 45~65Hz, 55~65Hz, 47~53Hz, 57~63Hz, 44~56Hz, 54~66Hz, 450~550Hz, 450~650Hz, 550~650Hz

This vibrating reed frequency meter with one row of horizontal reeds or with two rows of horizontally arranged reeds for connection to one main voltage. Vertical arrangements on request.

Heat resistance: Case of non-combustible plastic material.

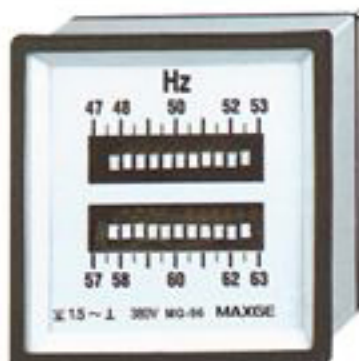
Changeable scale: All scales with printing technique.

The dial plate with different scale, which is at the same internal value, can be changeable.

But the accuracy is unchangeable.

Fastening: By means of nuts, absolutely safe, fast, robust, side-by-side.

Mounting depth: Max. 43mm.





POWER FACTOR METER

For 3 phases circuits, balanced load 45-65Hz and for 1 phase AC 50Hz.

Model: MG-PE96, MG-PF72

Accuracy: Class 2.5

Voltage: 100V, 380V, 440V

Frequency: 50Hz, 60Hz

Scale graduation: 0.5cap-1-0.5ind, 0.3cap-1-0.7ind, 0.4cap-1-0.4ind, 0.7cap-1-0.3ind

Orders to be noted:

Type of Current: 1P, 3P 3W circuits, balanced load.

Rated Volt: The voltage is line voltage (between two wire).

Operating Current: If used with CT, the secondary current 5A or 1A is standard.



POWER METER

Wattmeters or Varmeters with build-in converter for 1 phase 3P 3W, 3P 4W.

Model: MG-W96, MG-W72

Accuracy: Class 1.5

Voltage: 50V, 100V, 220V, 240V, 220/380V, 240/415V

Current: 5A

These meters are used with potential secondary voltage 100V voltage transformer or secondary current 5A CT. Wattmeters with built-in converter for 3P 3W, 3P 4W and single phase.



SYNCHROSCOPE METERS

Synchrony scope for phase comparison for three phase AC circuits, 50Hz or 60Hz.

Model: MG-S96 MG-S72

Specification:

Voltage: 100V 220V 380V 440V

Working time: 15min max.



SEQUENCE INDICATOR

This indicator is designed for easy testing of phase sequence in three-phase systems with a permissible operating voltage up to 500V. For short connections, no longer than 5 minutes for one test, a push-button switch is placed on the front plate. A disc with an indicating arrow rotates in the direction of the arrow, if the three phases are properly connected, otherwise the disc rotates in the other direction. By changing of two wires, the phase sequence will be corrected to corresponding designation of the terminals.

Model: MG-SI 96 MG-SI72

Specification:

Voltage: 110-550V

Working time: no longer than 5 minutes.



MOVING COIL AMMETERS WITH CHANGE OVER SWITCH FOR AC AMMETERS

The instruments are suitable for measuring AC Ampere in 4 or 3 wire networks by using a change over switch on the front side of the instrument.

Model: MG-T96A-S, MG-T72A-S

Technical data:

Movement: Moving-iron movement with oil filled bearings, practically vibration-free oil damping.

Accuracy: Class 1.5

Frequency range: 50Hz.

Heat resistance: Case of non-combustible plastic material according to UL-94 V0.

Measuring range: 0.1/1A, 0.2A/2A, 0.3A/3A, 0.4A/4A, 1A/10A

Position: L1-L2, L1-L3, L2-L3.



MOVING IRON VOLTMETER WITH CHANGE OVER SWITCH FOR AC VOLTMETERS

The instrument are suitable for measuring AC Voltages in three phase 4 or 3 wire networks by using a change over switch on the front side of the instrument.

Model: MG-T96V-S MG-T72V-S

Technical data:

Movement: Moving-iron movement with oil filled bearings, practically vibration-free oil damping.

Class of accuracy: 1.5%

Frequency range: 50Hz.

3 phase 4 wire Measuring range: 60V/100V, 80/150V 100/200V 150/250V, 250/400V, 300/500V.

Position: L1-L2, L1-L3, L2-L3, L1-N, L2-N, L3-N

Heat resistance: Case of non-combustible plastic material according to UL-94 V0.

3 phase 3 wire Measuring range: 100V, 150V 200V 250V 400V 500V

Position: L1-L2, L1-L3, L2-L3.



MOVING COIL INSTRUMENTS FOR NON-ELECTRIC VALUES

Model: MG-C96, MG-C72, MG-C48

these meters can measure the other non-electric values: temperature, speed, and so on.

Heat resistance: Case of non-combustible plastic material according to UL-94 V0.

Fastening: By means of nuts, absolutely safe, fast, robust, side-by-side



ELAPSED TIME METER OR HOURS RUN METERS

Model: MG-H96 MG-H72 MG-H48

Display: 99999.99

Voltage: AC 100~125V, AC 200~250V, AC 380~440V, AC 24V

Burden: 2.5VA

Frequency: 50/60Hz

Features: Elapsed Time Meters or Hours Run meters or Hours Run Meters monitor ON/RUN time of plant and equipment allowing the user to perform functions such as Production Efficiency Cost Estimating and Service Period monitor-ink for preventatives maintenance etc. The time is measured in instrument of 0.01h up to 99999.99 hours after which time the meter resets to zero. Non-reset table to prevent accidental resetting.