



MG-50



MG-60



MG-70



MG-80

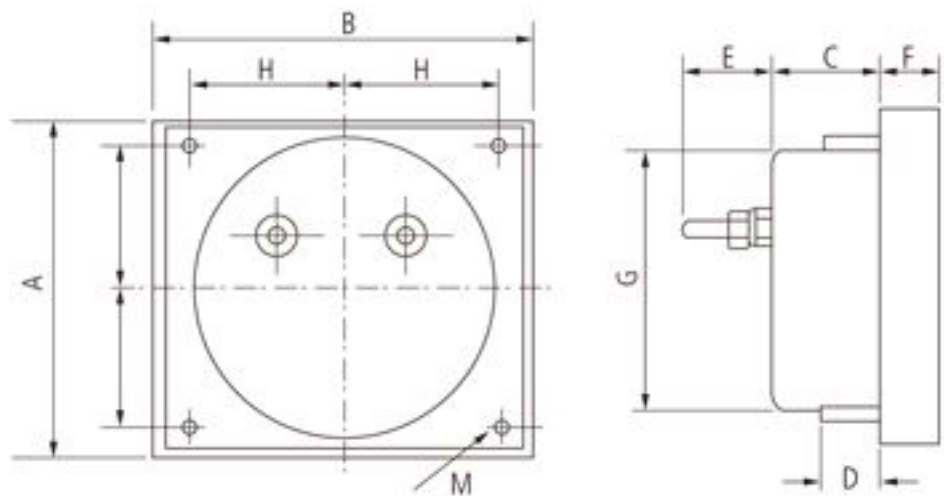
TECHNICAL DATA

Name	Specifications	Remarks
DC Ammeter	30-1000uA 1-1000mA 1-50A 1K-10KA	Direct connection with Ext.SHUNT
DC Voltmeter	40-1000mV 1-1000V 1K-10KA	Direct connection with Ext.Resistor
AC Ammeter	1-1000mA 1-50A 5-1000A 1K-10KA	Direct connection with Ext.CT
AC Voltmeter	40-1000mA 1-1000V 1K-380KV	Direct connection with Ext.CT
Frequency Meter	50-380V 44-55Hz 45-65Hz 55-65Hz	

DIMENSIONS(MM)

Model	A	B	C	D	E	F	G	H	M	For Hole
MG-50	50	52	23.5	13.5	4.4	12.5	45	19	3	46
MG-60	60	60	24	11	9.5	11	52	24	3	53
MG-670	60	70	23	10	11	12	52	24	3	53
MG-80	81	81	22	12	18.5	13.5	63.5	32.5	3	65

OUTLINE DRAWING



Struction: Moving Coil, Moving Iron and Rectifier.
Class: 2.0,2.5

ROUND TYPE SERIES PANEL METER

TECHNICAL DATA:



MG-52

Name	Specifications	Remarks
DC Ammeter	30-1000uA 1-1000mA 1-50A 1K-10KA	Direct connection with Ext.SHUNT
DC Voltmeter	40-1000mV 1-1000V 1K-10KA	Direct connection with Ext.Resistor
AC Ammeter	1-1000mA 1-50A 5-1000A 1K-10KA	Direct connection with Ext.CT
AC Voltmeter	40-1000mA 1-1000V 1K-380KV	Direct connection with Ext.CT

DIMENSIONS(MM):



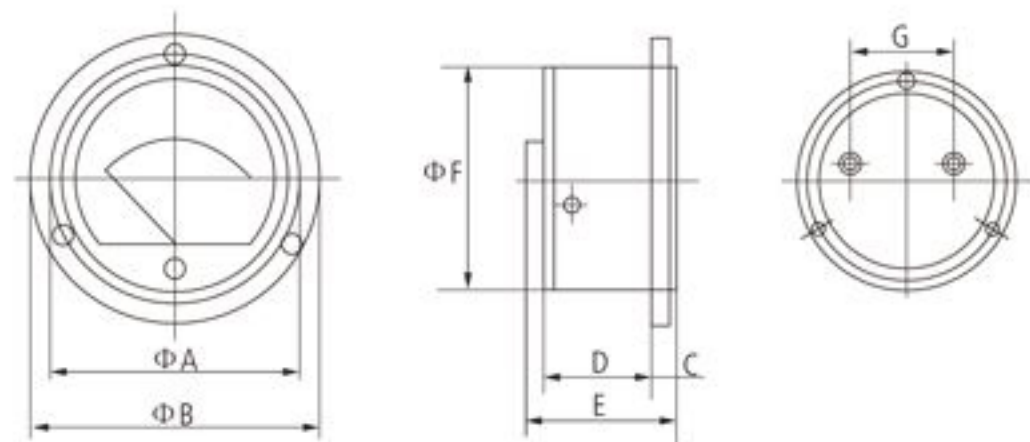
MG-65

Model	Unit	A	B	C	D	E	F	G
MG-52	mm	58	66.5	4.5	26	40.5	52	39
MG-65	mm	73.5	83.5	4.5	31	42	65	39
MG-62T2	mm	75	90	8	45	65	70	35

OUTLINE DRAWING



MG-62T2



NEW TYPE MGT SERIES PANEL METER

MOVING COIL INSTRUMENT POWER METERS WATTMETER



Model: MGT-W80 MGT-60 MGT-670 Ammeters

Accuracy: Class 1.5

Specification:

Voltage: Single phase: 100V 220V 380V

Three phase three wire: 100V 220V 380V 415V

Three phase three wire: 100V 220V(380)V240(415)V

Above-mentioned can be connected directly. The following should be connected with voltage transformers: 380/100V 500/100V 3K/100V 6K/100 10K/100V 15K/100V 35K/100...

Current: 1A, 5A

The voltage circuits of the meter connected with voltage transformers. Which secondary voltage is 100V. The current circuits connected with current transformers, which secondary current is 5A or 1A.

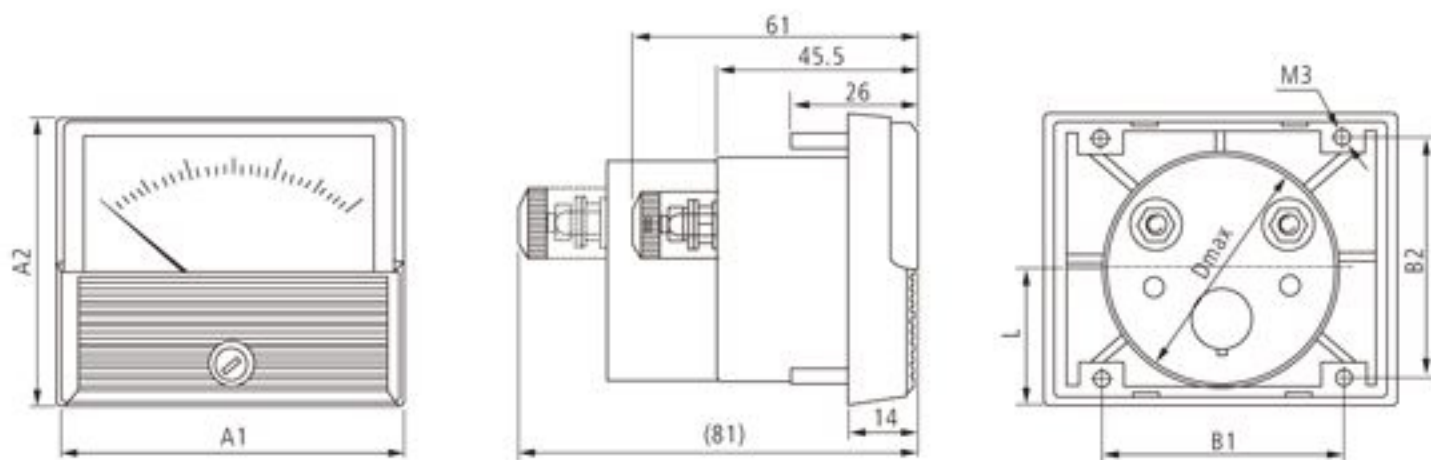
Wattmeters and Varmeters with converter for three-phase three wires or four wire and single phase, which can be used for the balance and unbalance burden circuit.

Heat resistance: Case of non-combustible plastic material.

Fastening: By means of nuts, absolutely safe, fast, robust, side-by-side

External converter with size: 72mm × 87.2mm × 65mm

OUTLINE DRAWING OF SFT SERIES PANEL METER



SIZE OF SQUARE OR RECTANGULAR WITH ROUND PANEL CUT-OUT METER

Model	Unit	A1	A2	B1	B2	L	D1
MGT-120	mm	120	100	84	84	31.2	47.5
MGT-80	mm	80	80	64	64	39.2	47.5
MGT-780	mm	80	70	54	54	27.2	47.5
MGT-670	mm	70	60	48	48	27.2	47.5
MGT-560	mm	60	50	34	34	23.2	47.5
MGT-60	mm	60	60	36	36	30.2	47.5
MGT-50	mm	50	50	34	34	23.2	44

The items of B1 and B2 for the distance of the mounting screws

The item D1 for the size of panel cut-out of switchboard



MAXIMUM DEMAND AMMETER

For measuring mean maximum current value, when it is 8min or 15min or 30min.

Model: MG-M96 MG-M72

Accuracy: Class3.0

Specification: 8min 5A, 15min 5A, 30min 5A, 8min 1A, 15min 1A(No specification for 30 min 5A for MG-M48)

With bimetal movement and thermal delayed indicator for measuring the maximum mean load during a period of 8 or 15 minutes, eats red maximum pointer. Lead seal can protect resetting knob of maximum pointer. Response time 8 or 15,30 minutes(to be specified when ordering).

Heat resistance: Case of non-combustible plastic material.

Changeable scale: All scales with printing technique. The dial plate with different scale which is at the same internal value can be changeable. But the accuracy is unchangeable.

Fastening: By means of nuts, absolutely safe, fast, robust, side-by-side.

Mounting depth: Max 43mm.



COMBINED WITH MOVING IRON AMMETERS

For measuring mean maximum content value and instantaneous values for combined with moving iron movement meters.

Model:MG-2M96, MG-2M72

Accuracy: Class3.0(instantaneous values)Class 1.5

Specification:8min 5A, 15min5A, 8min 1A, 15min 1A

With bimetal movement and thermal delayed indicator for measuring the maximum mean load during a period of 8 or 15 minutes, eats red maximum pointer. Lead seal can protect resetting knob of maximum pointer. Scale compressed at the beginning, convenient reading from 25% of full-scale deflection.

Accuracy of maximum load indication3%. Referred to the maximum pointer. Response time 8 or 15,30 minutes(to be specified when ordering).

Heat resistance: Case of non-combustible plastic material.

Changeable scale: All scales with printing technique. The dial plate with different scale, which is at the same internal value, can be changeable. But the accuracy is unchangeable.

Fastening: By means of nuts, absolutely safe, fast, robust, side-by-side.

Mounting depth: Max 43mm



MAXIMUM DEMAND INDICATOR WITH RELAY

Model:MG-AM96 MG-AM72

Features: For the control of Maximum Demand and the monitoring and control of overload on distribution systems. Constructed with an electronic circuit and 5A relay. The alarm was set by the blue slim pointer, the red light is the alarm one, which can be used with buzzer.

Accuracy: Class 3.0

Rating: 1A,5A for use with separate CT.

Burden: MDI2.2VA Frequency:50/60Hz

Overload: x1.2 continuous, 10×1 second, 20×1 second via5/5 CT.

Relay Circuit

Auxiliary: AC 220V ±10%, 50/60Hz Burden:2.6VA Bestrews:<1%

Time delay: 1 second approximately fixed. Alarm and Trip point

Working Range:20-100% ±1%added to the MDI Accuracy

Relay: Single Pole Changeover

Relay Rating: AC 250V 5A non inductive, DC 24V 2A Resistive

Temperature: -10°C to+50°C



MOVING COIL INSTRUMENTS FOR RATED VOLTMETERS

Model: MG-L96V, MG-L80V, MG-L72V, MG-L48V

Specification: 0/90-110V, 0/100-120V, 0/200-240V, 0/340-420V

Heat resistance: Case of non-combustible plastic material according to UL-94 V0.

Fastening: By means of nuts, absolutely safe, fast, robust, sibe-by-side.

Mounting depth: Max.43mm.



MOVING COIL INSTRUMENTS WITH RECTIFIER (240 DEG) AC AMMETERS

Model: MG-L96A, MG-L72A

Accuracy: Class 1.5

Specification: 0.5A, 1A, 1.5A, 3A, 5A, 7.5A, 10A, 15A, 20A

For 10A-10KA, Use external current transformer, which secondary current is 5A.

Notes: These meters measure r.m.s values and are scaled in r. m. s values.

Heat resistance: Case of non-combustible plastic material according to UL-94 V0.

Changeable scale: All scales with printing the technique. The dial plate with different scale, which is at the same internal value, can be changeable, But the accuracy is unchangeable.

Fastening: By means of nuts, absolutely safe, fast, robust, side-by-side.

Mounting depth: Max.43mm.



MOVING COIL WITH RECTIFIER INSTRUMENTS (240DEG) AC VOLTMETERS

Model: MG-L96A, MG-L72A

Accuracy: Class 1.5

Specification: 3V, 5V, 7.5V, 10V, 15V, 20V, 30V, 50V, 100V, 150V, 200V, 250V, 300V, 400V, 450V, Rated voltage over 450V use external resistance(rated current 5mA).

Heat resistance: Case of non-combustible plastic material according to UL-94 V0.

Fastening: By means of must, absolutely safe, fast, robust, side-by-side.

Mounting depth: Max43mm.



MOVING COIL INSTRUMENTS(240DEG) DC AMMETERS

Model: MG-C96A, MG-C72A

Accuracy: Class 1.5

Specification: 100uA 500uA 1mA 2mA 5mA 10mA 20mA 30mA 50mA 75mA 150mA 200mA 250mA 300mA 500mA 1A 3A 7.5A 10A 20A 30A 50A 60A 100A. For 10A-10KA,use external 75mV, 65mV or 45mV shunt.

Notes: For 50A 60A 75A 100A meters, when these meters directly connections circuit, their accuracy is class 2.5

Heat resistance: Case of non-combustible plastic material according to UL V0.

Changeable scale: All scales with printing technique. The dial plate with different scale, which is at the same internal value, can be changeable. But the AC is unchangeable.

Fastening: By means of nuts, absolutely safe, fast, robust, side-by-side.

Mounting depth: Max.43mm.



MOVING COIL INSTRUMENTS(240 DEG) DC VOLTMERS

Model: MG-C96A MG-C72A

Accuracy: Class 1.5

Specification: 3V, 5V, 7.5V, 10V, 15V, 20V, 30V, 50V, 75V, 100V, 120V, 150V, 200V, 250V, 300V, 400V Measuring ranges over 450V with external resistor(rated current 5mA)

Heat resistance: Case of non-combustible plastic material according to UL-94 V0.

Fastening: By means of nuts, absolutely safe, fast, robust, sibe-by-side.

Mounting depth: Max.43mm.

MOVING COIL INSTRUMENTS FREQUENCY METERS [240 DEG]



Accuracy: Class 1.0
 Model: MG-F96, MG-F72
 Specification:
 Voltage: 50V 100V 220V 380V 440V
 Frequency: 45~55Hz, 45~65Hz, 45~53Hz, 57~63Hz, 44~56Hz, 54~66Hz, 450~550Hz, 450~650Hz, 550~650Hz
 Heat resistance: Case of non-combustible plastic material according to UL-94 V0.
 Fastening: By means of nuts, absolutely safe, robust, side-by-side.
 Mounting depth: Max. 43mm.

MOVING COIL INSTRUMENTS POWER FACTOR METERS [240 DEG]



Model: MG-PF96, MG-PF72A
 Accuracy: Class 2.5
 Voltage: 100V 220V 380V 415V 440 current: 5A
 Specification: 0.5cap-1-0.5ind, 0.3cap-1-0.1ind, 0.4cap-1-0.4ind, 0.7cap-1-0.2ind
 Heat resistance: Case of non-combustible plastic material according to UL-94 V0.
 Fastening: By means of must, absolutely safe, fast, robust, side-by-side.
 Mounting depth: Max 43mm.

MOVING COIL INSTRUMENTS(240DEG) DC AMMETERS [240 DEG]



Model: MG-W96, MG-W72
 Accuracy: Class 1.5
 Specification:
 Voltage: 50V 100V 380V 240V 415V 400V 380V 220/380V 240/415V
 Current: 1A, 5A
 The voltage circuits of the meter connected with voltage transformers. Which secondary voltage is 100V, if the secondary voltage is lower than 450V, it also can be connected directly. The current circuits connected with current transformers, which secondary current is 5A. Wattmeters and varmeters with converter for three-phase three wires or four wire and single phase.
 Heat resistance: Case of non-combustible plastic material according to UL-94 V0.
 Fastening: By means of must, absolutely safe, fast, robust, side-by-side
 Mounting depth: Max 43mm
 External converter with size.

SIZE OF RECTANGULAR TYPE METER

Model	Unit	A	B	C	D	E	F
MG-96	mm	96	92	90	5.5	65	43
MG-72	mm	72	68	66	5.5	65	43
MG-48	mm	48	44	42	5.5	65	43

