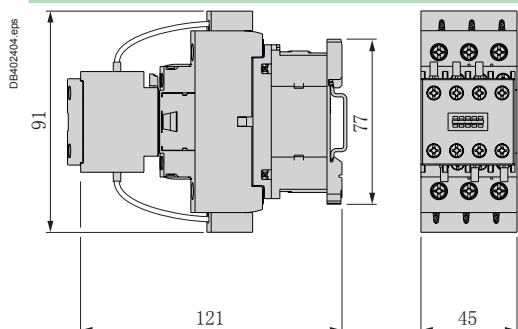
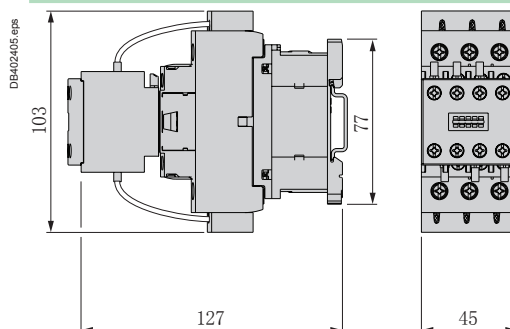


## Dimensions

### LC1 DFK, DGK



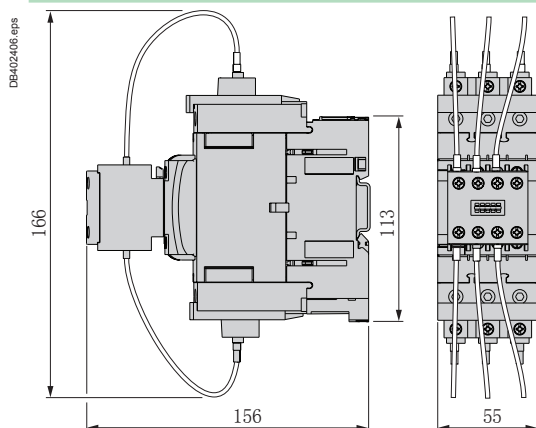
### LC1 DLK, DMK



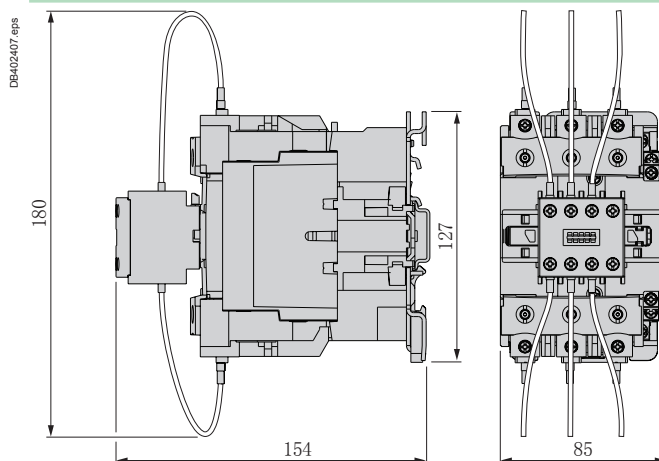
LC1	Type of fixing
DFK	LC1 D18 See pages 5/94 and 5/95
DGK	LC1 D18 See pages 5/94 and 5/95

LC1	Type of fixing
DLK	LC1 D25 See pages 5/94 and 5/95
DMK	LC1 D32 See pages 5/94 and 5/95

### LC1 DPK, DTK



### LC1 DWK

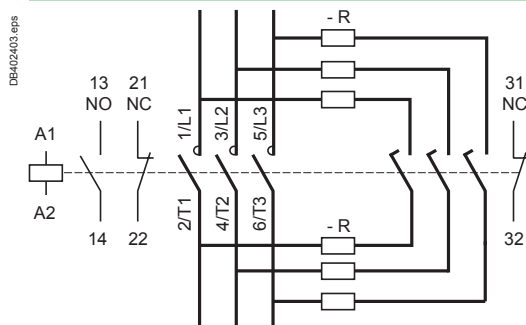


LC1	Type of fixing
DPK	LC1 D40A See pages 5/94 and 5/95
DTK	LC1 D65A See pages 5/94 and 5/95

LC1	Type of fixing
DWK	LC1 D80 See pages 5/94 and 5/95

## Schemes

### LC1 DpK



R = Pre-wired resistor connections.