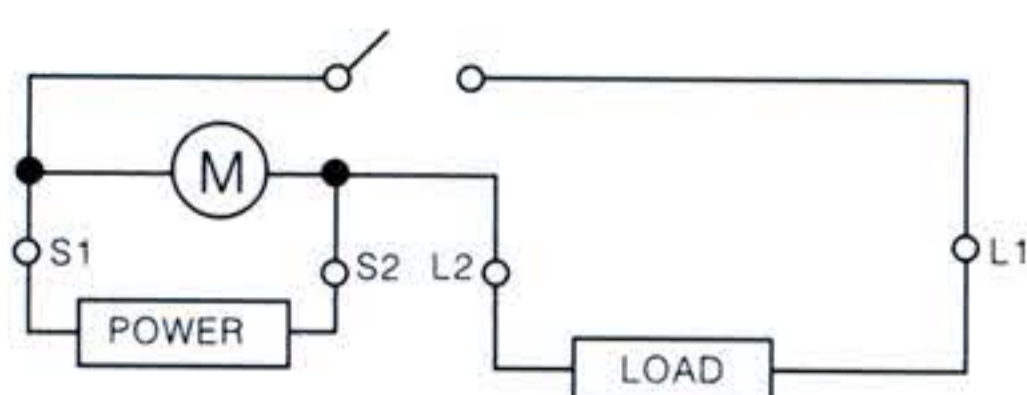


TH-167



Voltage	AC110-240V 50/60Hz
Contact	Timed 1SPDT
Operation	Timers Operation
Timing Range	Circulation of day

Function & usage

1.The daily maximum is ten group of on/off and the weekly maximum is seventy groups of on/off.

The arbitrarily setting of daily on-off program or of the groups of on-off program is available. The minimum on-off intervals in 1min.Hand operation is available.

2.The plug-in mode avoids wiring,featuring small volume, wide working temperature and strong Anti-interference , etc

3.It can serve in neon lamp,road lamp and water & material feeding in aquiculture, tool, switchgear cubicle and distribution case for automatical control. At family, it can serve as turning on and off lamp, TV and air conditioner by timing. Then the family will enter intelligence era.

Rated voltage : 220V/50HZ

Mains voltage range : 160V-240V

Resistance load : 16A

Power consumption<2VA

Timing range:1min-168h

Ten groups of timing is available in the form of hand and automation.

Timing error:<±0.5s/day

Ambient temperature range:-25~60°C

Relative humidity:<95%

Time setting

Press the key of 'CLOCK' and then press the key of "WEEK" to determine the week.

Press the key of "HOURS" to determine the hours and press the key of "MIN" to determine the minute. Releasing the key of "MIN" means that the timing will press repeatedly relevant Key.

Timing program setting

Seven mode of automatic on/off timing. Select following program combination is of recommendation.

From Monday to Sunday

Every day of a week

From Monday to Friday

From Saturday to Sunday

From Monday to Saturday

Monday, Tuesday, Wednesday

Thursday, Friday, Saturday

After selection of the above-mentioned mode, then it is to set day, hours,minute to determine on/off time.

Press the key of "PROG" to set the time for first on and the left of the screen will display "ON1", which means that the entry of first group of on program will be available.

Press the key of "WEEK" to select needful mode among the program package, and press the keys of "HOURS" and "MIN" to select the needful.

Repress the key of "PROG" and the crystal screen will display "OFF1",which means that entry of first group of on program is available. Respectively press the key of "WEEK", "HOURS" and "MIN" to set. Repress the key of "PROG" to enter another group of program set. And repeating such procedure can set residual nine group of on/off modes,. To such idel mode, the user can cancel it with the key of "RST/RCL", which will leave the "-:-" on the screen.

After setting of on/off program, press the key of "CLOCK", and the crystal screen will return to present time. Then the timing function will start.

Repeatedly press the key of "PROG" to watch the program that has been set in turn..

Hand function

Press the key of "ON/AUTO/OFF" to select the three modes of PERMANENTION-AUTOMATION-PERMANENT OFF. In case of the mode off AUTOMATION ,the timer can automatically operate in accordance with set program.

The set program just runs in case of the mode of ATUOMATION. In case of the mode of "PERMANENT OFF", the timer will automatically turn off. In case of the mode off "PERMANENT ON" ,the timer will automatically run.

Reset

Press the key of "RESET" with in case of the mode of AUTOMATION. The time and on-off program.

Note

No use at external lead.

No connect it to the electrical appliance which are running.

No exceed maximum load range (see what printed at it is surface)

No connect it to air heater out of monitor or oven with heating wire exposed

No insert the needle or any metal into power socket-out

No place it at such places as subject to damp, overhigh or overflow temperature and easy to collision or shake.

Resort to specialist to detachment for servicing .

Clean enclosure enclosure and crystal screen with cloth. No use corrosive liquid and water.

Remarks

The maximum load of electrical timer is print in the mark on the products. No use out of nominated range. Refer to Note for details as above.

TH-160



Voltage	AC110-240V 50/60Hz
Contact	Timed 1SPDT
Operation	Timers Operation
Timing Range	Circulation of week or day

Function & usage

1.The daily maximum is ten group of on/off and the weekly maximum is seventy groups of on/off.

The arbitrarily setting of daily on-off program or of the groups of on-off program is available. The minimum on-off intervals in 1min.Hand operation is available.

2.The plug-in mode avoids wiring,featuring small volume, wide working temperature and strong Anti-interference , etc

3.It can serve in neon lamp,road lamp and water & material feeding in aquiculture, tool, switchgear cubicle and distribution case for automatical control. At family, it can serve as turning on and off lamp, TV and air conditioner by timing. Then the family will enter intelligence era.

Rated voltage : 220V/50HZ

Mains voltage range : 160V-240V

Resistance load : 16A

Power consumption<2VA

Timing range:1min-168h

Ten groups of timing is available in the form of hand and automation.

Timing error:<±0.5s/day

Ambient temperature range:-25~60°C

Relative humidity:<95%

Time setting

Press the key of 'CLOCK' and then press the key of "WEEK" to determine the week.

Press the key of "HOURS" to determine the hours and press the key of "MIN" to determine the minute. Releasing the key of "MIN" means that the timing will press repeatedly relevant Key.

Timing program setting

Seven mode of automatic on/off timing. Select following program combination is of recommendation.

From Monday to Sunday

Every day of a week

From Monday to Friday

From Saturday to Sunday

From Monday to Saturday

Monday, Tuesday, Wednesday

Thursday, Friday, Saturday

After selection of the above-mentioned mode, then it is to set day, hours,minute to determine on/off time.

Press the key of "PROG" to set the time for first on and the left of the screen will display "ON1", which means that the entry of first group of on program will be available.

Press the key of "WEEK" to select needful mode among the program package, and press the keys of "HOURS" and "MIN" to select the needful.

Repress the key of "PROG" and the crystal screen will display "OFF1",which means that entry of first group of on program is available. Respectively press the key of "WEEK", "HOURS" and "MIN" to set. Repress the key of "PROG" to enter another group of program set. And repeating such procedure can set residual nine group of on/off modes,. To such idel mode, the user can cancel it with the key of "RST/RCL", which will leave the "-:-" on the screen.

After setting of on/off program, press the key of "CLOCK", and the crystal screen will return to present time. Then the timing function will start.

Repeatedly press the key of "PROG" to watch the program that has been set in turn..

Hand function

Press the key of "ON/AUTO/OFF" to select the three modes of PERMANENTION-AUTOMATION-PERMANENT OFF. In case of the mode off AUTOMATION ,the timer can automatically operate in accordance with set program.

The set program just runs in case of the mode of ATUOMATION. In case of the mode of "PERMANENT OFF", the timer will automatically turn off. In case of the mode off "PERMANENT ON" ,the timer will automatically run.

Reset

Press the key of "RESET" with in case of the mode of AUTOMATION. The time and on-off program.

Note

No use at external lead.

No connect it to the electrical aooliance which are running.

No exceed maximum load range (see what printd at it is surface)

No connect it to air heater out of monitor or oven with heating wire exposed

No insert the needle or any metal into power socket-out

No palce it at such places as subjectto samp, overhigh or overlow temperature andeasy to collision or shake.

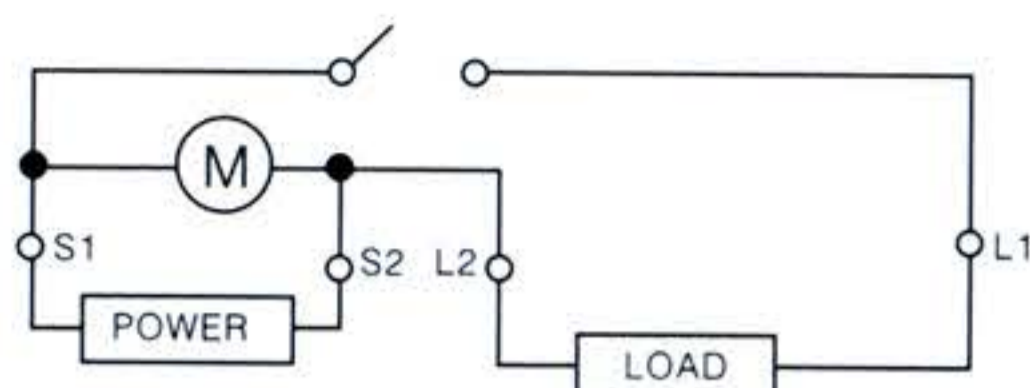
Resort to specialist to detachment for servicing .

Clean enclosure enclosure and crystal screen with cloth. No use corrosive liquid amd water.

Remarks

The maximum load of electronical timer is print in the mark on the products. No use out of nominated range. Refer to Note for details as aboce.

TH-166



Voltage	AC110-240V 50/60Hz
Contact	Timed 1SPDT
Operation	Timers Operation
Timing Range	Circulation of day

Function & usage

1.The daily maximum is ten group of on/off and the weekly maximum is seventy groups of on/off.

The arbitrarily setting of daily on-off program or of the groups of on-off program is available. The minimum on-off intervals in 1min.Hand operation is available.

2.The plug-in mode avoids wiring,featuring small volume, wide working temperature and strong Anti-interference , etc

3.It can serve in neon lamp,road lamp and water & material feeding in aquiculture, tool, switchgear cubicle and distribution case for automatical control. At family, it can serve as turning on and off lamp, TV and air conditioner by timing. Then the family will enter intelligence era.

Rated voltage : 220V/50HZ

Mains voltage range : 160V-240V

Resistance load : 16A

Power consumption<2VA

Timing range:1min-168h

Ten groups of timing is available in the form of hand and automation.

Timing error:<±0.5s/day

Ambient temperature range:-25~60°C

Relative humidity:<95%

Time setting

Press the key of 'CLOCK' and then press the key of "WEEK" to determine the week.

Press the key of "HOURS" to determine the hours and press the key of "MIN" to determine the minute. Releasing the key of "MIN" means that the timing will press repeatedly relevant Key.

Timing program setting

Seven mode of automatic on/off timing. Select following program combination is of recommendation.

From Monday to Sunday

Every day of a week

From Monday to Friday

From Saturday to Sunday

From Monday to Saturday

Monday, Tuesday, Wednesday

Thursday, Friday, Saturday

After selection of the above-mentioned mode, then it is to set day, hours,minute to determine on/off time.

Press the key of "PROG" to set the time for first on and the left of the screen will display "ON1", which means that the entry of first group of on program will be available.

Press the key of "WEEK" to select needful mode among the program package, and press the keys of "HOURS" and "MIN" to select the needful.

Repress the key of "PROG" and the crystal screen will display "OFF1",which means that entry of first group of on program is available. Respectively press the key of "WEEK", "HOURS" and "MIN" to set. Repress the key of "PROG" to enter another group of program set. And repeating such procedure can set residual nine group of on/off modes,. To such idel mode, the user can cancel it with the key of "RST/RCL", which will leave the "-:-" on the screen.

After setting of on/off program, press the key of "CLOCK", and the crystal screen will return to present time. Then the timing function will start.

Repeatedly press the key of "PROG" to watch the program that has been set in turn..

Hand function

Press the key of "ON/AUTO/OFF" to select the three modes of PERMANENTION-AUTOMATION-PERMANENT OFF. In case of the mode off AUTOMATION ,the timer can automatically operate in accordance with set program.

The set program just runs in case of the mode of ATUOMATION. In case of the mode of "PERMANENT OFF", the timer will automatically turn off. In case of the mode off "PERMANENT ON" ,the timer will automatically run.

Reset

Press the key of "RESET" with in case of the mode of AUTOMATION. The time and on-off program.

Note

No use at external lead.

No connect it to the electrical aooliance which are running.

No exceed maximum load range (see what printd at it is surface)

No connect it to air heater out of monitor or oven with heating wire exposed

No insert the needle or any metal into power socket-out

No palce it at such places as subjectto samp, overhigh or overflow temperature andeasy to collision or shake.

Resort to specialist to detachment for servicing .

Clean enclosure enclosure and crystal screen with cloth. No use corrosive liquid amd water.

Remarks

The maximum load of electronical timer is print in the mark on the products. No use out of nominated range. Refer to Note for details as aboce.

TH-162



Voltage	AC110-240V 50/60Hz
Contact	Timed 1SPDT
Operation	Timers Operation
Timing Range	Circulation of week or day

Function & usage

1.The daily maximum is ten group of on/off and the weekly maximum is seventy groups of on/off.

The arbitrarily setting of daily on-off program or of the groups of on-off program is available. The minimum on-off intervals in 1min.Hand operation is available.

2.The plug-in mode avoids wiring,featuring small volume, wide working temperature and strong Anti-interference , etc

3.It can serve in neon lamp,road lamp and water & material feeding in aquiculture, tool, switchgear cubicle and distribution case for automatical control. At family, it can serve as turning on and off lamp, TV and air conditioner by timing. Then the family will enter intelligence era.

Rated voltage : 220V/50HZ

Mains voltage range : 160V-240V

Resistance load : 16A

Power consumption<2VA

Timing range:1min-168h

Ten groups of timing is available in the form of hand and automation.

Timing error:<±0.5s/day

Ambient temperature range:-25~60°C

Relative humidity:<95%

Time setting

Press the key of 'CLOCK' and then press the key of "WEEK" to determine the week.

Press the key of "HOURS" to determine the hours and press the key of "MIN" to determine the minute. Releasing the key of "MIN" means that the timing will press repeatedly relevant Key.

Timing program setting

Seven mode of automatica on/off timing. Select following program combination is of recommendation.

From Monday to Sunday

Every day of a week

From Monday to Friday

From Saturday to Sunday

From Monday to Saturday

Monday, Tuesday, Wednesday

Thursday, Friday, Saturday

After selection of the above-mentioned mode, then it is to set day, hours,minute to determine on/off time.

Press the key of "PROG" to set the time for first on and the left of the screen will display "ON1", which means that the entry of first group of on program will be available.

Press the key of "WEEK" to select needful mode among the program package, and press the keys of "HOURS" and "MIN" to select the needful.

Repress the key of "PROG" and the crystal screen will display "OFF1",which means that entry of first group of on program is available. Respectively press the key of "WEEK", "HOURS" and "MIN" to set. Repress the key of "PROG" to enter another group of program set. And repeating such procedure can set residual nine group of on/off modes,. To such idel mode, the user can cancel it with the key of "RST/RCL", which will leace the "-:-" on the screen.

After setting of on/off program, press the key of "CLOCK", and the crystal screen will return to present time. Then the timing function will start.

Repeatedly press the key of "PROG" to watch the program that has been set in turn..

Hand function

Press the key of "ON/AUTO/OFF" to select the three modes of PERMANENTION-AUTOMATION-PERMANENT OFF. In case of the mode off AUTOMATION ,the timer can automatically operate in accordance with set program.

The set program just runs in case of the mode of ATUOMATION. In case of the mode of "PERMANENT OFF", the timer will automatically turn off. In case of the mode off "PERMANENT ON", the timer will automatically run.

Reset

Press the key of "RESET" with in case of the mode of AUTOMATION. The time and on-off program.

Note

No use at external lead.

No connect it to the electrical aooliance which are running.

No exceed maximum load range (see what printd at it is surface)

No connect it to air heater out of monitor or oven with heating wire exposed

No insert the needle or any metal into power socket-out

No palce it at such places as subjectto samp, overhigh or overflow temperature andeasy to collision or shake.

Resort to specialist to detachment for servicing .

Clean enclosure enclosure and crystal screen with cloth. No use corrosive liquid amd water.

Remarks

The maximum load of electronical timer is print in the mark on the products. No use out of nominated range. Refer to Note for details as aboce.