

JKL 4F/5F/68/58 SERIES INTELLECT REACTIVE POWER AUTO-COMPENSATE CONTROLLER

JKL 7F/5F/68//58 series reactive power auto-compensate controller adopted the modern advanced monolithic machine technology, has the features of the compact structure, strong anti-reference power, easy operation, installation and application.

The products have four series and more than ten types, three hole size, that suits for the industrial and mining focus or disperse reactive compensate, line or pole transformer reactive compensate, the dynamic or static state.



TECHNICAL FUNCTION

The easy operative user's interface

Automatic CT polar check

The power supply disconnected, the whole put-in capacitor removed

The data store would not lose with the disconnection of the power supply

The over-voltage protection

Keep the tangent time gap

Non-vibration with low load

Meet to ZBK44001-89 and DL/T579-96 standard

TECHNICAL PARAMETER

Working voltage:	380V ± 15%
frequency:	50Hz
Input current:	0-5A
Output power:	3A/250V or 30mA/12V
Environment temperature	-10°C--+50
Install size:	72x72mm Depth 113mm 96x96mm Depth 113mm 120x120mm Depth 130mm

FUNCTION

JKL7F-12	Three controlling type to select: automatic, half-automatic and manual
JKL7F-12JBM	The setting display of the relevant auto-adaptability, power factor, time-delay, over-voltage and way. Manual auto-set state display
JKL7F-12JRS	Outlet follows the code type:1:2:2:2:2 1:2:4:4:4 1:2:4:8 With Rs485 communication nozzle, the data store up for 60 days, equipped with electric inspection.
JKLSF-10	Standard self-put threshold setting display of the power factor, time-delay, over-voltage and way.
JKLSF-12	Standard self-put threshold setting display of the power factor, time-delay, over-voltage and way.
JKLSF-10DSK	The real time dynamic controlling response time is 20ms-100ms with each way 12V 30mA.
JKLSF-10JKS	The quick put type power factor is less than 0.90;the put time is 25 and outlet with relay.
JKLSF-18	The max.Outlet way is 18 ways and can be set from 13 to 18 by the user.
JKLSF-3 × 4	The subdivided compensate display the power factor, the current, the active and reactive power.
JKL68-10	Standard self-put threshold setting display of the power factor, time-delay, over-voltage and way.
JKL68-10DSK	The real time dynamic controlling response time is 20ms-100ms with each way 12V 30mA.
KKL68-10JKS	The quick put type power factor is less than 0.90;the put time is 25 and outlet with relay.
JKL68-10BM	Outlet follows the code type; 1:2:2:2:2 1:2:4:4:4 1:2:4:8
JKLS8-5	Standard self-put threshold setting display of the power factor, time-delay, over-voltage and way.
JKLS8-7	Display the power factor, the voltage, the current, the active power, and the reactive power and put threshold setting.
JKLS8-7DSK	The real time dynamic controlling response time is 20ms-100ms with each way 12V 30mA.
JKLS8-7JKS	The quick put type power factor is less than 0.90;the put time is 25 and outlet with relay.
JKLS8-70BM	Outlet follows the code type; 1:2:2:2:2 1:2:4:4:4 1:2:4:8

BUILDOUT CURRENT DIVIDER

APPLICATION

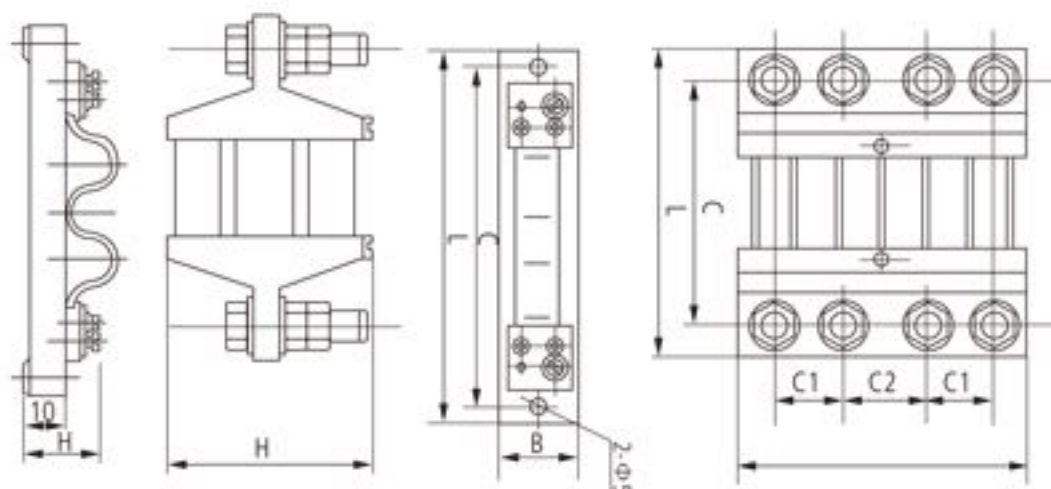
Type FL-2 brand interchangeable shunts

Basic specifications

The interchangeable shunts are used to multiply the measuring range of current of measuring instruments.

1. Accuracy class: 0.5 for 2~4000A; 1 for 5000~10000A
2. Ambient conditions: temperature -40~+60°C, relative humidity ≤95% (at 35°C)
3. Capacity to withstand mechanical force: it is capable of withstanding the transport bumping at acceleration of 70m/S² and shock frequency. Of 80-120 times of 6hr.
4. Overload capacity; 120% of rated current for 2hr.
5. Voltage drop: 50mV 75mV 100mV
6. Giving out heat when loaded: not more than 80 under rated current 50A after temperature rise gets steady; not more than 120 above rated current 50A.

INSTALLING DIMENSION



Type	Spec.	Overall dimensions			Installation size			Mounting hole
		L	B	H	C	C1	C2	
FL-2 75mV	1-20A	120	25		100			M5
	30-50A	120	25	16	100			M5
	75-100A	109	23	11	85			M8
	150-200A	118	22	22	85			M8
	300A	125	26	22	100			M10
	400A	128	36	22	100			M10
	500A	128	46	22	100			M10
	600A	128	56	22	100			M10
	750A	128	76	22	100	50		M10
	1000A	128	96	22	100	50		M10
	1500-2000A	199	87	97	160	50		M12
	3000A	199	137	97	160	50		M12
	4000A	199	187	97	160	50	50	M12
	5000A	287	195	150	220	50	50	M16
	6000A	287	240	150	220	50	80	M16
	7500A	287	320	150	220	50	55	M16
	10000A	287	400	150	220	50	90	M16
	12000A	287	490	150	220	50	55	M16
15000A	287	610	150	220	50	70	M16	
20000A	287	610	170	220	50	70	M16	

THERMOCOUPLE THERMAL ELECTRICAL RESISTANCE



Mini annular threaded nail thermocouple



Mini pressure spring thermocouple



Mini applicator thermocouple, thermal electrical resistance



Non-stationary contrivance thermocouple, thermal electrical resistance



Kinetic flange thermocouple, thermal electrical resistance



Stationary flange thermocouple, thermal electrical resistance



Stationary screw thread thermocouple, thermal electrical resistance



Stationary screw thread tapered thermocouple, thermal electrical resistance

APPLICATION

WRP、WRR、WRN、WRK for single thermocouple.

WRP2、WRR2、WRN2、WRK2 for double thermocouple.

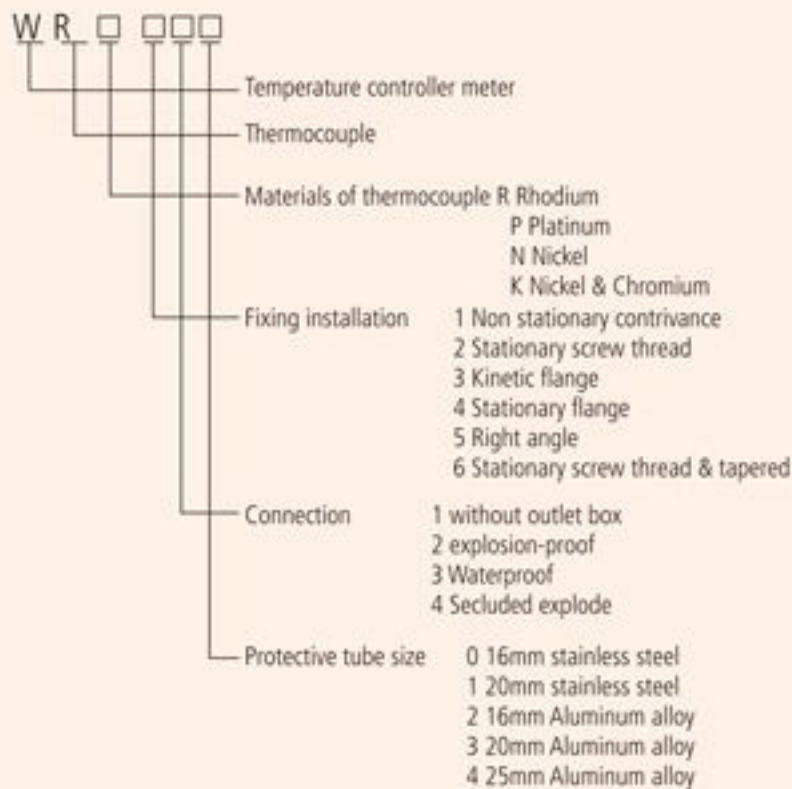
WZP、WZC、 for single thermal electrical resistance

WZP2、WZC2、 for double thermal electrical resistance

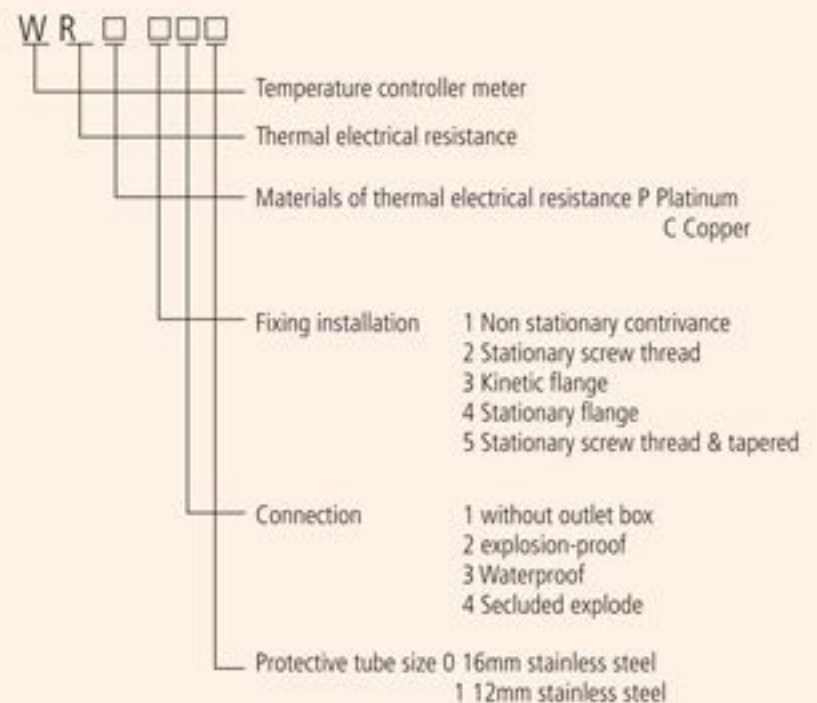
Note: Please make sure the length(L=mm) for thermocouple and thermal electrical resistance when order is to be placed.

TYPE ILLUSTRATION

1) thermocouple



2) thermal electrical resistance



THERMOELEMENT AND THERMORESISTANCE SERIES



WRNT-34
Screw type

HJ073



WRNT-34
Screw type

HJ074



WRNT-34
Screw type

HJ075



WRNT-33
Screw type

HJ076



WRNT-31
Screw type

HJ077



WRNT-37
Screw type

HJ078



WRNT-01
Pressing spring type

HJ079



WZP-10
Exploring head type

HJ080



WRNT-220
Thermoelement

HJ081



HJ082